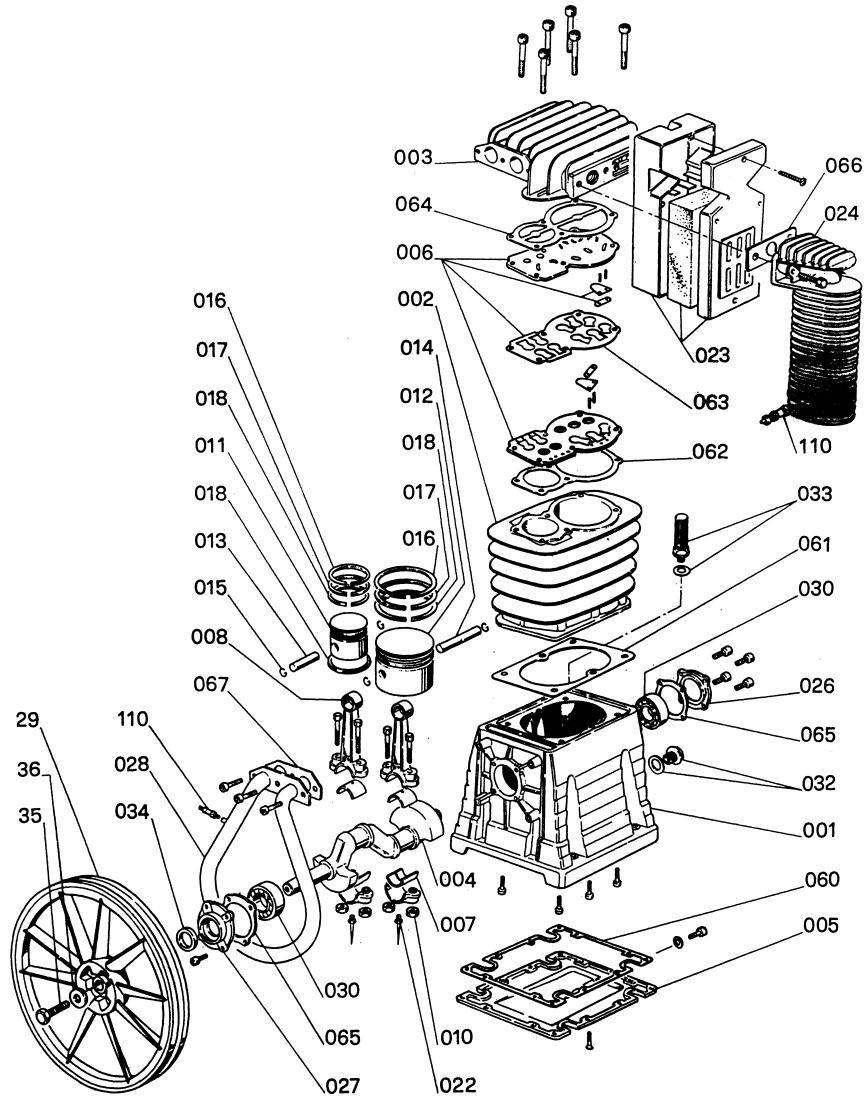


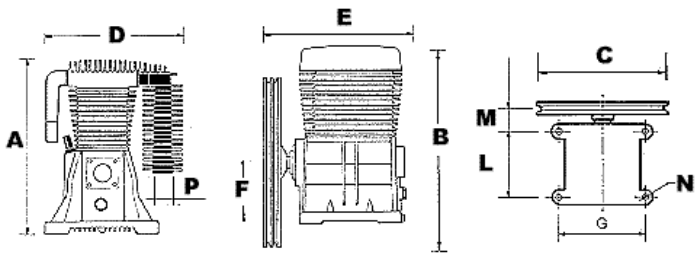
Code:

5300000

B 5900/B



Dimensions:



In mm

A	B	C	D	E	F	G	L	M	N	P
405	489	430	306	344	131	190	170	110	11	1 1/4" F

Box Weight: 22.5 Kg Box Dimensions: W x D x L: 361 x 441 x 527

Tightening Torques, Cylinder Head:

Bolt Size:	M10	
Min Torque:	45.28	Nm
Max Torque:	55.34	Nm

Technical Data:

Cylinders:	2		
Stages:	2		
Air Flow:	653	L/m in	23,1 cfm
Power:	4,1	Kw	5,5 HP
Speed:	1370	rpm	
Max Pressure:	12	Bar	174 psi

Code:
B 5900/B

5300000



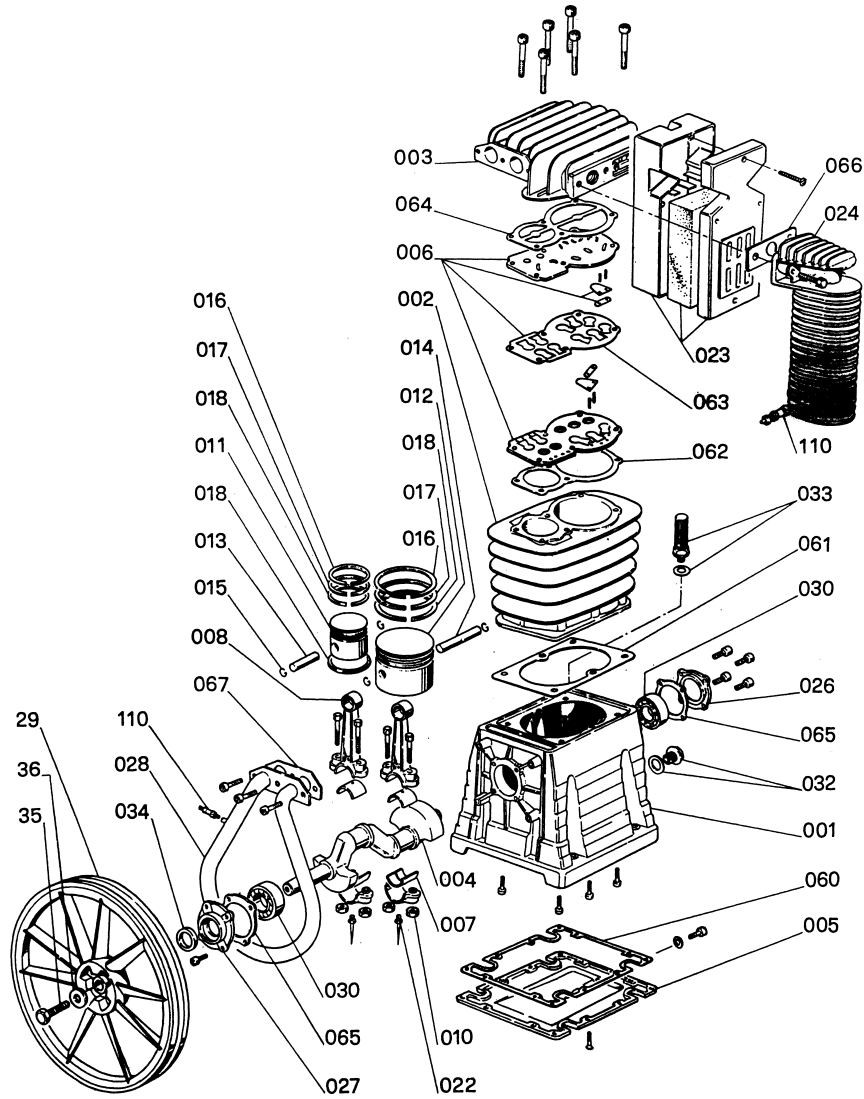
<i>Svc</i>	<i>Ref</i>	<i>Code</i>	<i>Description</i>	<i>Qty</i>	<i>Modified</i>
<input checked="" type="checkbox"/>	000	5350050	Gasket Kit	1	
<input type="checkbox"/>	001	5961100	Crankase	1	30.04.1999
<input type="checkbox"/>	001	5961101	Crankase	1	
<input type="checkbox"/>	002	5930000	Cylinder	1	30.04.1999
<input type="checkbox"/>	002	5930001	Cylinder	1	
<input type="checkbox"/>	003	5361400	Pump head	1	
<input type="checkbox"/>	004	5961200	Crankshaft	1	
<input type="checkbox"/>	005	5961300	Sump base	1	30.04.1999
<input type="checkbox"/>	005	5961301	Sump base	1	
<input type="checkbox"/>	006	5940050	Valve plate assy.	1	06.02.2000
<input checked="" type="checkbox"/>	006	5940051	Valve plate assy.	1	
<input type="checkbox"/>	007	9013013	Halfbearing	4	
<input type="checkbox"/>	008	5011101	Connecting rod	2	
<input type="checkbox"/>	010	9128234	Self locking nut	4	
<input type="checkbox"/>	011	5021100	Piston D. Pin D.	1	
<input type="checkbox"/>	012	5922100	Piston D. Pin D.	1	
<input type="checkbox"/>	013	5021200	Pin	1	
<input type="checkbox"/>	014	5922200	Pin	1	
<input type="checkbox"/>	015	9140050	Circlip	4	
<input type="checkbox"/>	016	9020014	Piston ring AC	1	
<input type="checkbox"/>	016	9020035	Piston ring AC	1	
<input type="checkbox"/>	017	9020047	Piston ring ROS	1	
<input type="checkbox"/>	017	9020044	Piston ring ROS	1	
<input type="checkbox"/>	018	9020074	Piston ring ROF	2	
<input type="checkbox"/>	018	9020065	Piston ring ROF	1	
<input checked="" type="checkbox"/>	023	5281000	Filter	1	
<input type="checkbox"/>	024	5070100	Aftercooler	1	
<input type="checkbox"/>	026	5061690	Cover N.D.E.	1	
<input type="checkbox"/>	027	5061590	Cover D.E.	1	
<input type="checkbox"/>	028	5962020	Intercooler	1	
<input type="checkbox"/>	029	5000100	Flyw heel	1	
<input type="checkbox"/>	030	9170020	Bearing	2	
<input type="checkbox"/>	032	9022003	Oil sight glass	1	
<input type="checkbox"/>	033	9024006	Oil fill plug	1	
<input type="checkbox"/>	034	9163020	Oil seal	1	
<input type="checkbox"/>	035	9110024	Screw	1	
<input type="checkbox"/>	036	9004009	Fly w heel w asher	1	
<input type="checkbox"/>	110	9049011	Safety valve	1	31.08.2000
<input type="checkbox"/>	110	9049020	Safety valve	1	
<input type="checkbox"/>	110	9049032	Safety valve	1	

Svc = Service Item

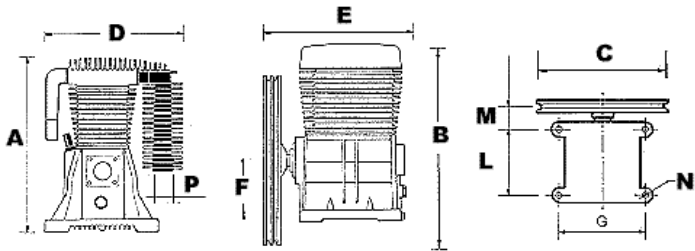
Code:

530000A

B 5900/B



Dimensions:



In mm

A	B	C	D	E	F	G	L	M	N	P
405	489	430	306	344	131	190	170	110	11	1 1/4" F

Box Weight: 22.5 Kg Box Dimensions: W x D x L: 361 x 441 x 527

Tightening Torques, Cylinder Head:

Bolt Size:	M10	
Min Torque:	45.28	Nm
Max Torque:	55.34	Nm

Technical Data:

Cylinders:	2		
Stages:	2		
Air Flow:	653	L/m in	23,1 cfm
Power:	4,1	Kw	5,5 HP
Speed:	1370	rpm	
Max Pressure:	12	Bar	174 psi

Code:
B 5900/B

530000A



<i>Svc</i>	<i>Ref</i>	<i>Code</i>	<i>Description</i>	<i>Qty</i>	<i>Modified</i>
<input checked="" type="checkbox"/>	000	5350050	Gasket Kit	1	
<input type="checkbox"/>	001	5961100	Crankase	1	30.04.1999
<input type="checkbox"/>	001	5961101	Crankase	1	
<input type="checkbox"/>	002	5930000	Cylinder	1	30.04.1999
<input type="checkbox"/>	002	5930001	Cylinder	1	
<input type="checkbox"/>	003	5361400	Pump head	1	
<input type="checkbox"/>	004	5961200	Crankshaft	1	
<input type="checkbox"/>	005	5961300	Sump base	1	30.04.1999
<input type="checkbox"/>	005	5961301	Sump base	1	
<input checked="" type="checkbox"/>	006	5940051	Valve plate assy.	1	
<input type="checkbox"/>	006	5940050	Valve plate assy.	1	06.02.2000
<input type="checkbox"/>	007	9013013	Halfbearing	4	
<input type="checkbox"/>	008	5011101	Connecting rod	2	
<input type="checkbox"/>	010	9128234	Self locking nut	4	
<input type="checkbox"/>	011	5021100	Piston D. Pin D.	1	
<input type="checkbox"/>	012	5922100	Piston D. Pin D.	1	
<input type="checkbox"/>	013	5021200	Pin	1	
<input type="checkbox"/>	014	5922200	Pin	1	
<input type="checkbox"/>	015	9140050	Circlip	4	
<input type="checkbox"/>	016	9020014	Piston ring AC	1	
<input type="checkbox"/>	016	9020035	Piston ring AC	1	
<input type="checkbox"/>	017	9020047	Piston ring ROS	1	
<input type="checkbox"/>	017	9020044	Piston ring ROS	1	
<input type="checkbox"/>	018	9020065	Piston ring ROF	1	
<input type="checkbox"/>	018	9020074	Piston ring ROF	2	
<input checked="" type="checkbox"/>	023	5081000	Filter	1	
<input type="checkbox"/>	024	5070100	Aftercooler	1	
<input type="checkbox"/>	026	5061690	Cover N.D.E.	1	
<input type="checkbox"/>	027	5061590	Cover D.E.	1	
<input type="checkbox"/>	028	5962020	Intercooler	1	
<input type="checkbox"/>	029	5000100	Flyw heel	1	
<input type="checkbox"/>	030	9170020	Bearing	2	
<input type="checkbox"/>	032	9022003	Oil sight glass	1	
<input type="checkbox"/>	033	9024006	Oil fill plug	1	
<input type="checkbox"/>	034	9163020	Oil seal	1	
<input type="checkbox"/>	035	9110024	Screw	1	
<input type="checkbox"/>	036	9004009	Fly w heel w asher	1	
<input type="checkbox"/>	037	5080100	Filter support	1	
<input type="checkbox"/>	038	9011011	Filter rod	1	
<input type="checkbox"/>	039	9126021	Wing nut	1	
<input type="checkbox"/>	110	9049011	Safety valve	1	31.08.2000
<input type="checkbox"/>	110	9049020	Safety valve	1	
<input type="checkbox"/>	110	9049032	Safety valve	1	

Svc = Service Item